

LOAD CELL

SPRING offre una vasta gamma di celle di carico, che utilizza nei vari sistemi a seconda della macchina su cui vanno installate. Tutte le celle di carico hanno un grado elevato di precisione.

SPRING provides a wide range of load cells, used in the different systems in according to the machine where it is going to be used. All the load cells they offer an high precision.

SPRING offre une vaste sélection des capteurs de force, utilisés dans ses systèmes selon la machine sur laquelle on les utilise. Tous les capteurs de force offrent une précision importante.

SPRING ofrece una gama amplia de celdas de carga, usadas en los sistemas según la máquina donde son instaladas. Todas las celdas de carga ofrecen una precisión importante.

SPRING stellt eine Vielzahl von Wägezellen, in den verschiedenen Systemen verwendet, in entsprechend der Maschine, wo sie verwendet werden wird. Alle Wägezellen bieten eine hohe Präzision.

IT

GB

A SPRING providencia uma gama variada de células de carga, usadas em distintos sistemas de acordo com a máquina e a sua aplicação. Todas as células de carga oferecem elevada precisão.

FR

SPRING Loadcell konusunda geniş bir ürün gamına sahiptir. Farklı sistemler için nerede kullanılacağına göre farklı çözümler sunulmaktadır. Bütün yük hücreleri (Load cell) yüksek çözünürlükte üretilmektedir.

ES

SPRING предоставляет широкий спектр весоизмерительных тензодатчиков, используемых в различных системах в соответствии со специальными требованиями. Все динамометрические элементы обеспечивают высокую точность.

DE

SPRING 公司提供了一个广泛的称重传感器，在不同的机器上使用不同的系统。所有的称重传感器具有高精度性。

PT

TR

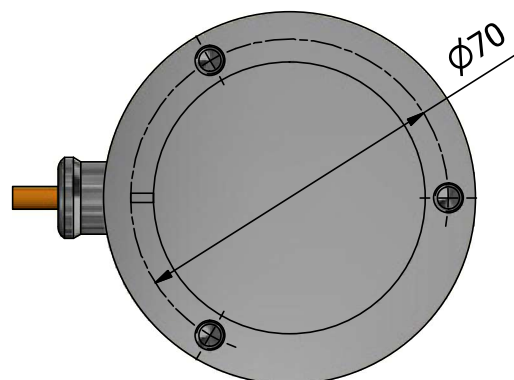
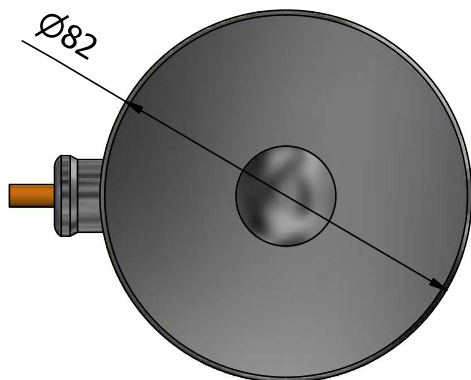
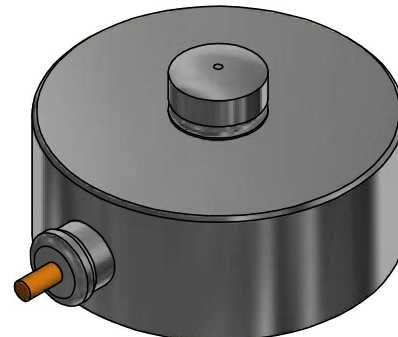
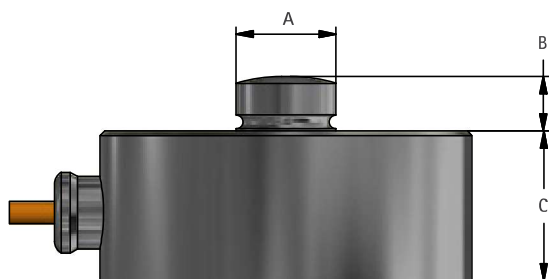
RU

CN

COM

DIMENSIONS

MODEL	A	B	C
COM	22mm	12mm	33mm



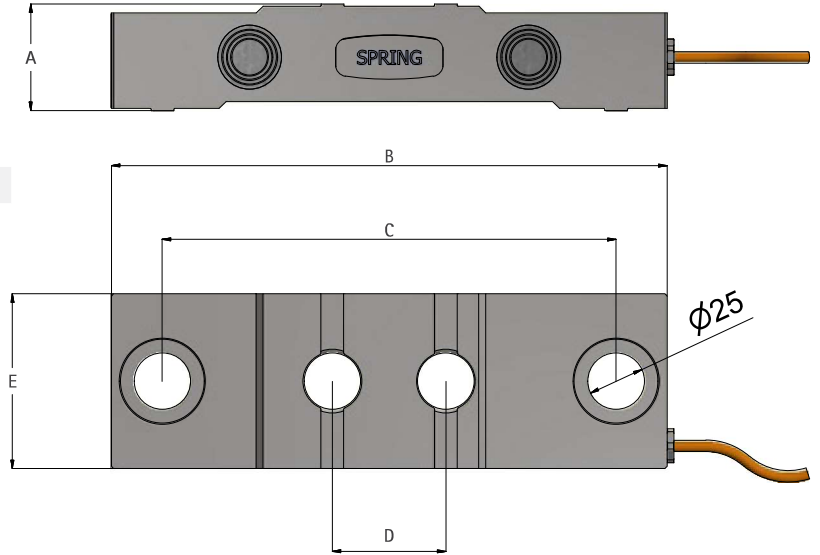
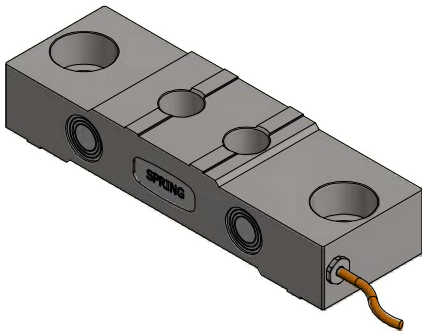
TECHNICAL FEATURES

MODEL	PRECISION CLASS (OIML)	RANGE	OVERLOAD	PROTECTION	MATERIAL
COM	C3	5 T - 10 T	K3	IP 68	Stainless steel

LOAD CELL

STC DIMENSIONS

MODEL	A	B	C	D	E
STC	47mm	245mm	200mm	50mm	77mm

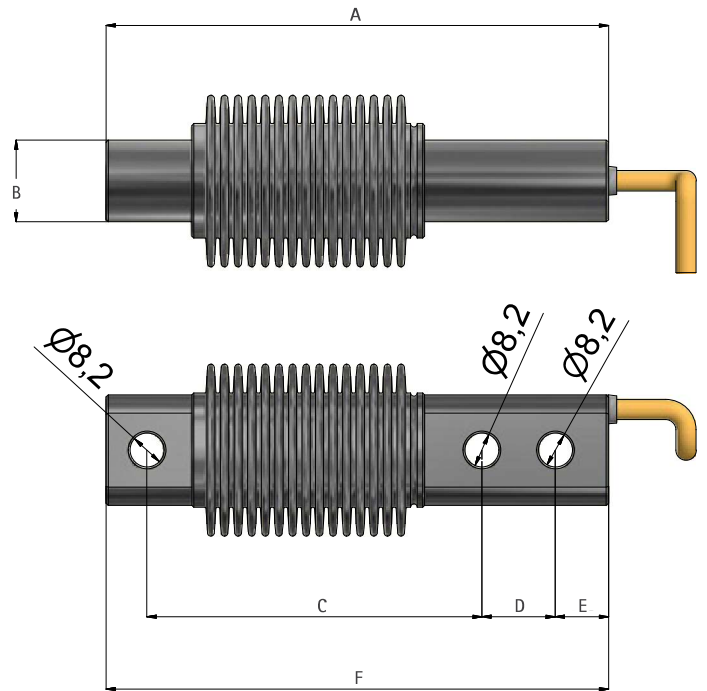


TECHNICAL FEATURES

MODEL	PRECISION CLASS (OIML)	RANGE	OVERLOAD	PROTECTION	MATERIAL
STC	C3	12.5 T	K3	IP 68	Stainless steel

FLE DIMENSIONS

MODEL	A	B	C	D	E	F
FLE	123mm	20mm	82mm	18mm	13mm	123mm



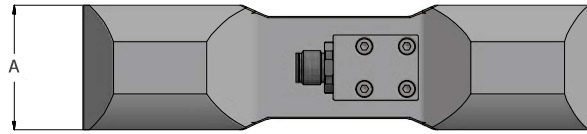
TECHNICAL FEATURES

MODEL	PRECISION CLASS (OIML)	RANGE	OVERLOAD	PROTECTION	MATERIAL
FLE	C3	50 kg 100 kg 200 kg	K3	IP 68	Stainless steel

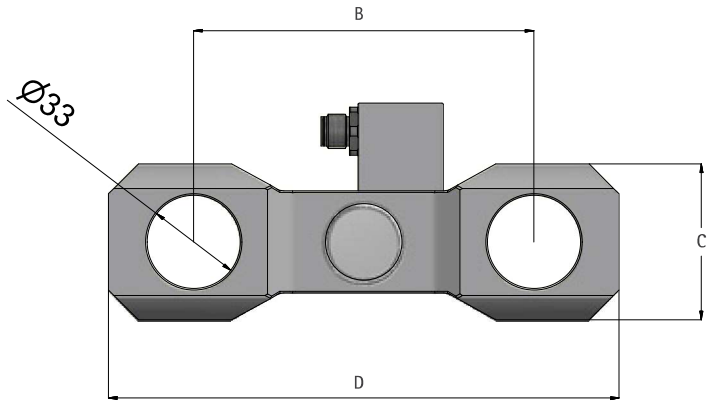
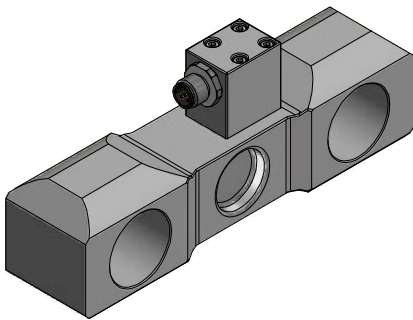
LOAD CELL

TRZ

DIMENSIONS



MODEL	A	B	C	D
TRZ	44mm	120mm	55mm	180mm

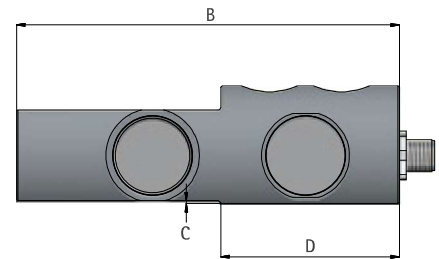


TECHNICAL FEATURES

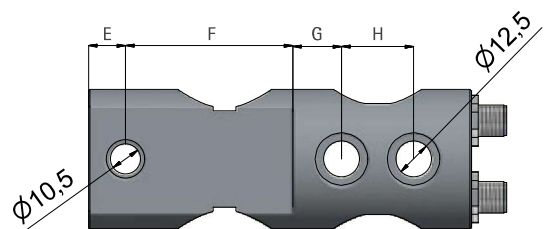
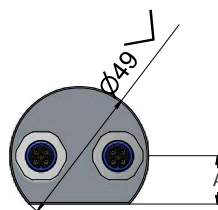
MODEL	PRECISION CLASS (OIML)	RANGE	OVERLOAD	PROTECTION	MATERIAL
TRZ	C3	5 T - 10 T	K3	IP 68	Stainless steel

T2S

DIMENSIONS



MODEL	A	B	C	D	E	F	G	H
T2S	17mm	135mm	1mm	63mm	13mm	59mm	17,2mm	25,4mm



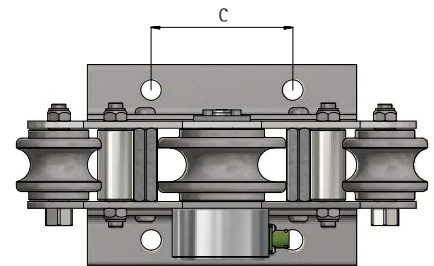
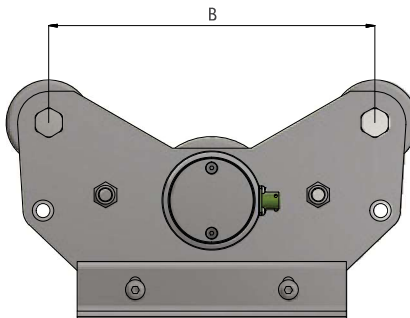
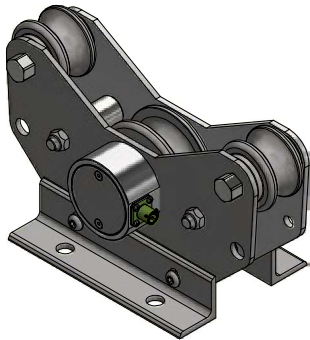
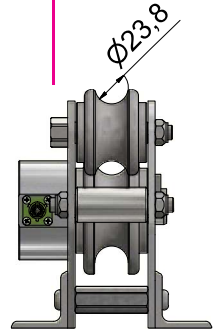
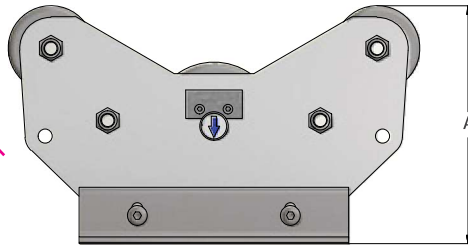
TECHNICAL FEATURES

MODEL	PRECISION CLASS (OIML)	RANGE	OVERLOAD	PROTECTION	MATERIAL
T2S	C3	1 T	K3	IP 68	Stainless steel

LOAD CELL

THE DIMENSIONS

MODEL	A	B	C
THE	168mm	230mm	100mm

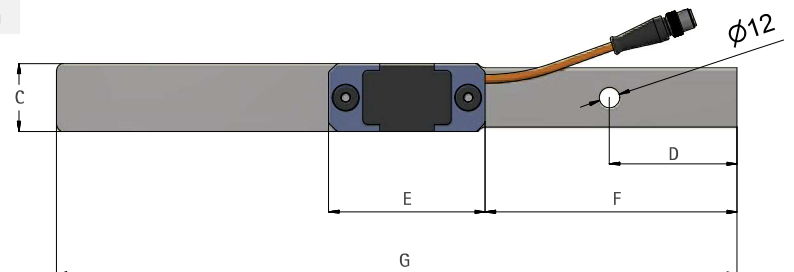
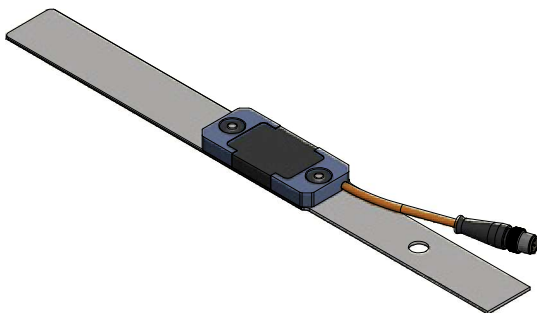


TECHNICAL FEATURES

MODEL	PRECISION CLASS (OIML)	RANGE	OVERLOAD	PROTECTION	MATERIAL
THE	C3	10 T	K3	IP 68	Stainless steel

FOIL DIMENSIONS

MODEL	A	B	C	D	E	F	G
FOIL	2mm	12mm	40mm	75mm	92mm	148mm	400mm



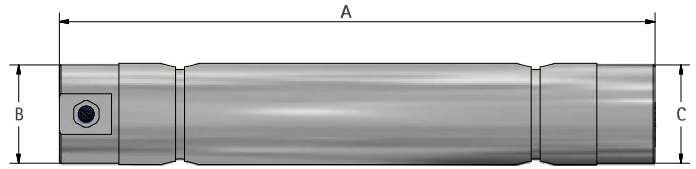
TECHNICAL FEATURES

MODEL	PRECISION CLASS (OIML)	RANGE	OVERLOAD	PROTECTION	MATERIAL
FOIL	C3	-	K3	IP 68	Stainless steel

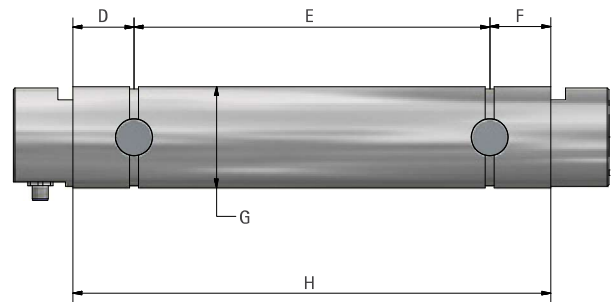
LOAD CELL

PRN 60T

DIMENSIONS



MODEL	A	B	C	D	E	F	G	H
PRN 60T	400mm	66mm	66mm	41mm	239mm	41mm	68mm	321mm



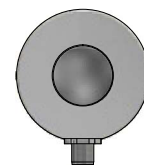
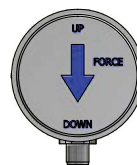
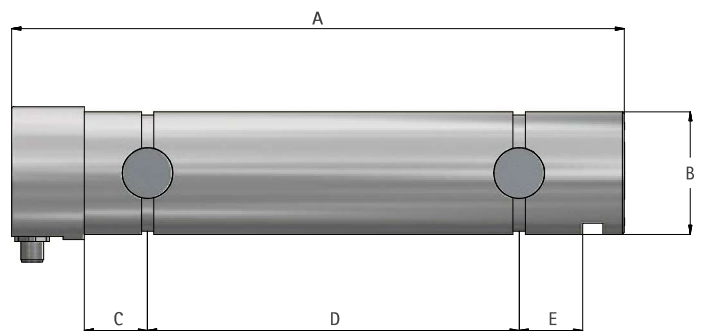
TECHNICAL FEATURES

MODEL	PRECISION CLASS (OIML)	RANGE	OVERLOAD	PROTECTION	MATERIAL
PRN	C3	60 T	K3	IP 68	Stainless steel

PRN 35T

DIMENSIONS

MODEL	A	B	C	D	E
PRN 35T	300mm	60mm	31mm	182mm	31mm



TECHNICAL FEATURES

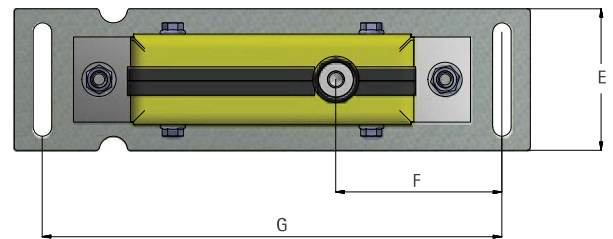
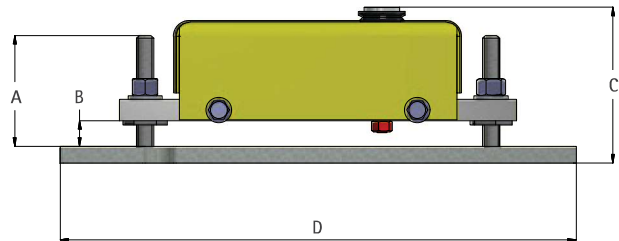
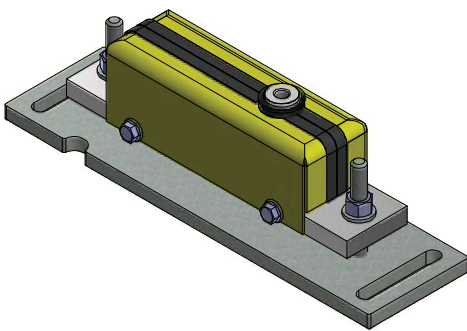
MODEL	PRECISION CLASS (OIML)	RANGE	OVERLOAD	PROTECTION	MATERIAL
PRN	C3	35 T	K3	IP 68	Stainless steel

LOAD CELL

FX

DIMENSIONS

MODEL	A	B	C	D	E	F	G
FX	78mm	18mm	110mm	364mm	100mm	117mm	324mm



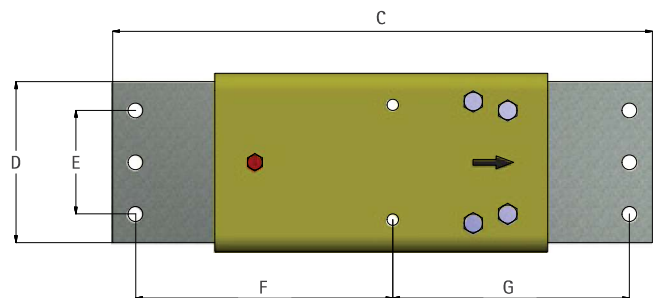
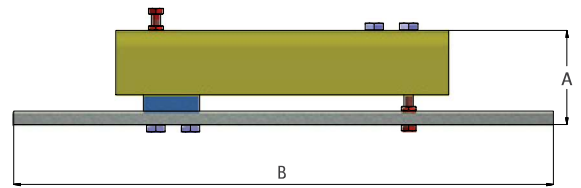
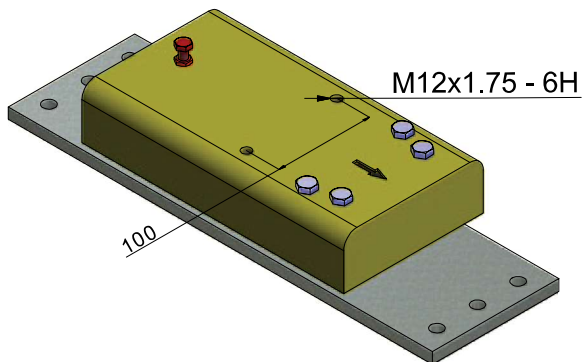
TECHNICAL FEATURES

MODEL	PRECISION CLASS (OIML)	RANGE	OVERLOAD	PROTECTION	MATERIAL
FX	C3	50 kg - 100 kg - 200 kg	K3	IP 68	Stainless steel

BTW

DIMENSIONS

MODEL	A	B	C	D	E	F	G
BTW	82mm	470mm	470mm	140mm	90mm	224mm	206mm

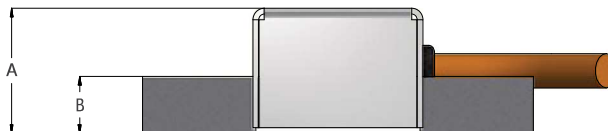


TECHNICAL FEATURES

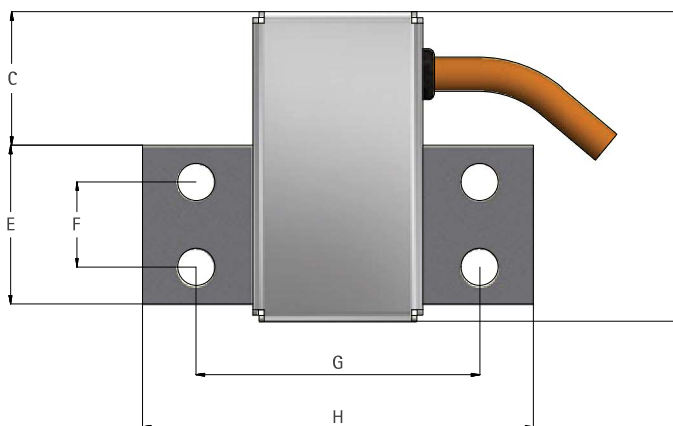
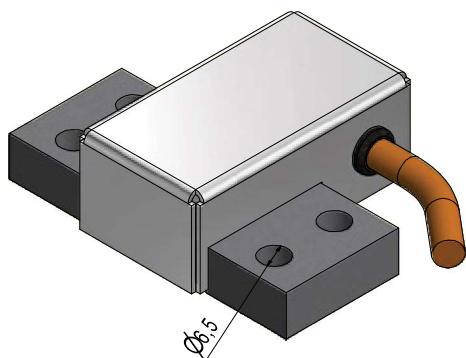
MODEL	PRECISION CLASS (OIML)	RANGE	OVERLOAD	PROTECTION	MATERIAL
BTW	C3	50 kg - 100 kg - 200 kg	K3	IP 68	Stainless steel

LOAD CELL

GDA DIMENSIONS



MODEL	A	B	C	D	E	F	G	H
GDA	22mm	10mm	23,5mm	54,5mm	28mm	15mm	50mm	69mm



TECHNICAL FEATURES

MODEL	PRECISION CLASS (OIML)	RANGE	OVERLOAD	PROTECTION	MATERIAL
GDA	C3	-	K3	IP 68	Stainless steel

